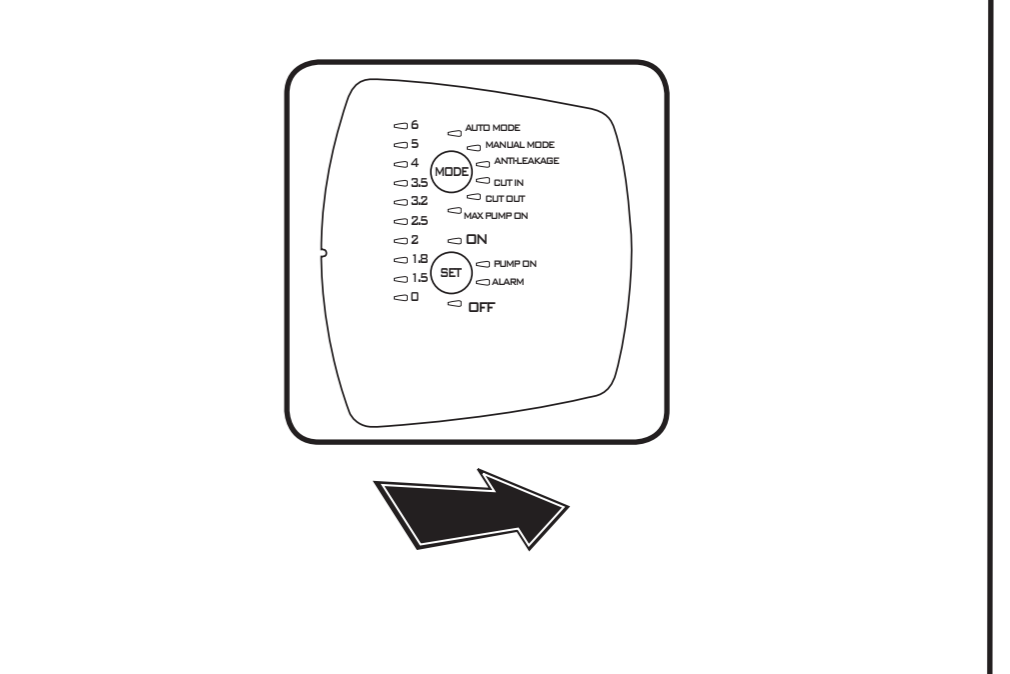
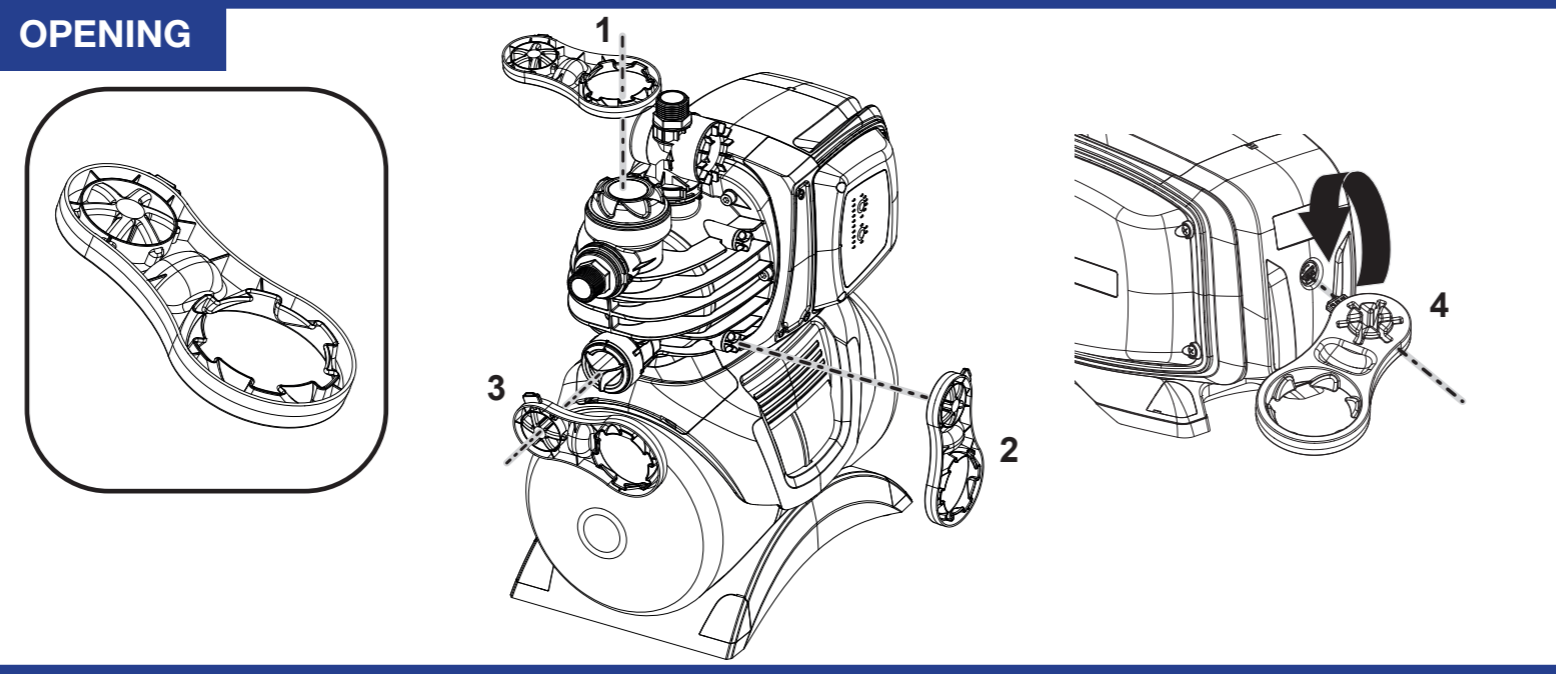
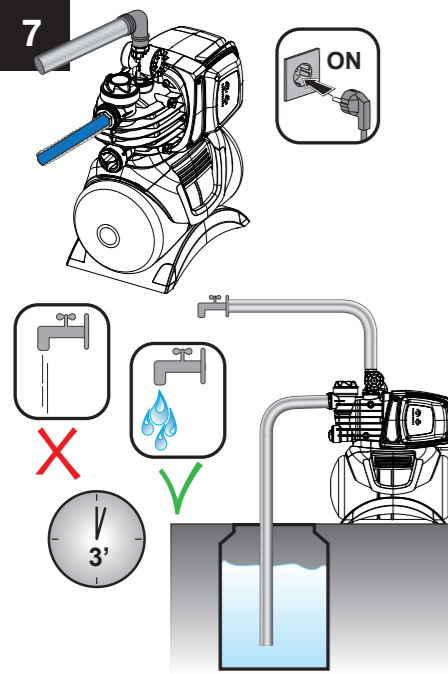
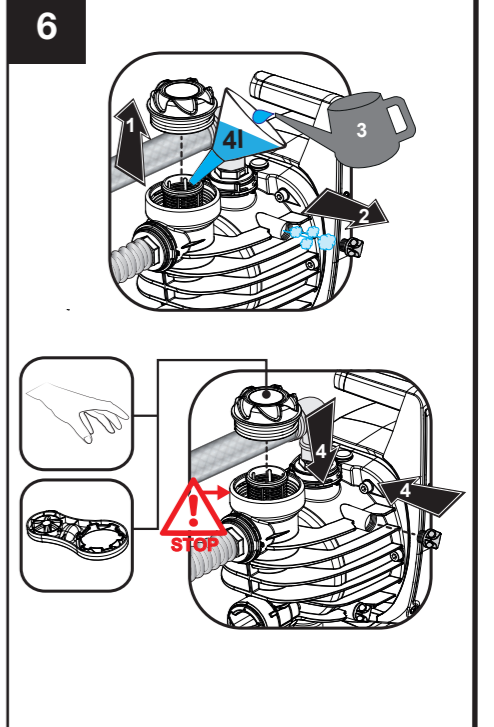
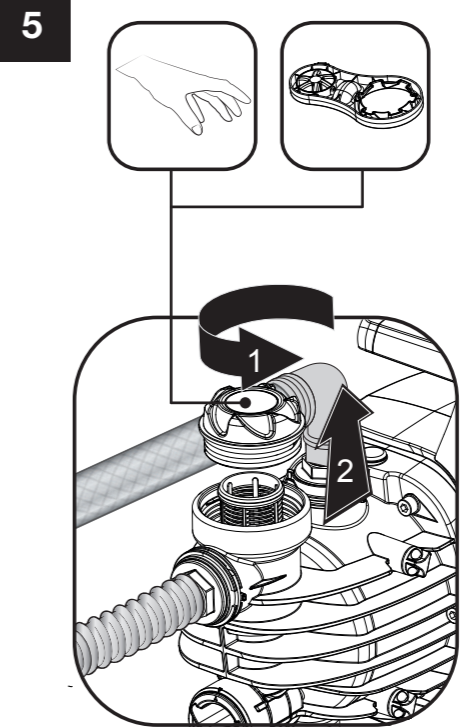
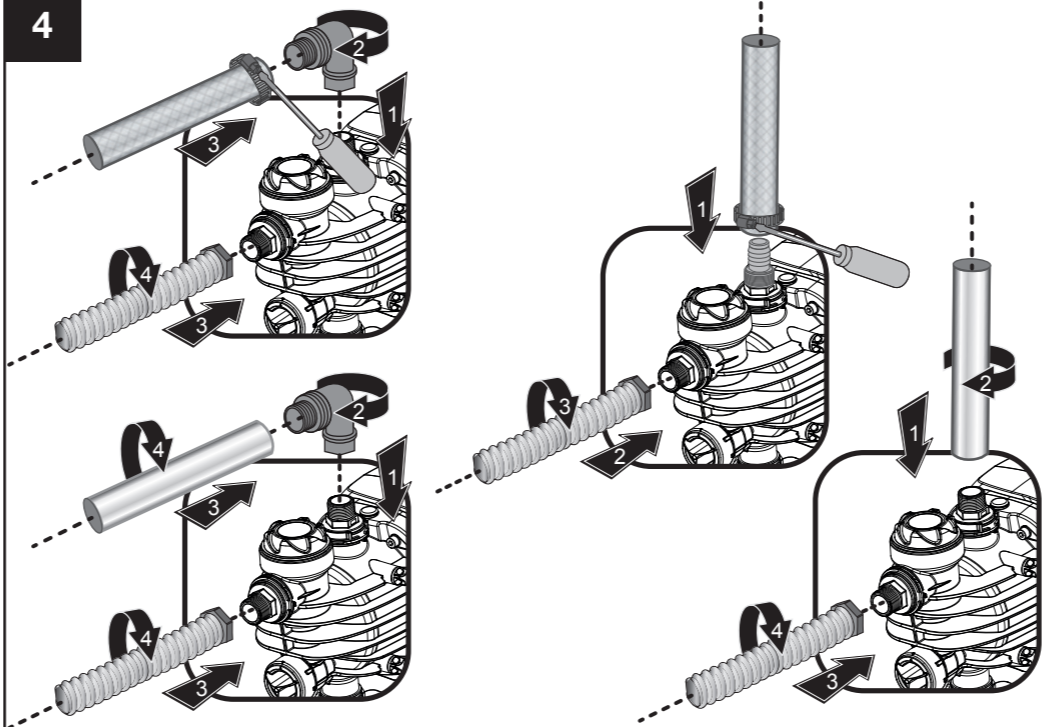
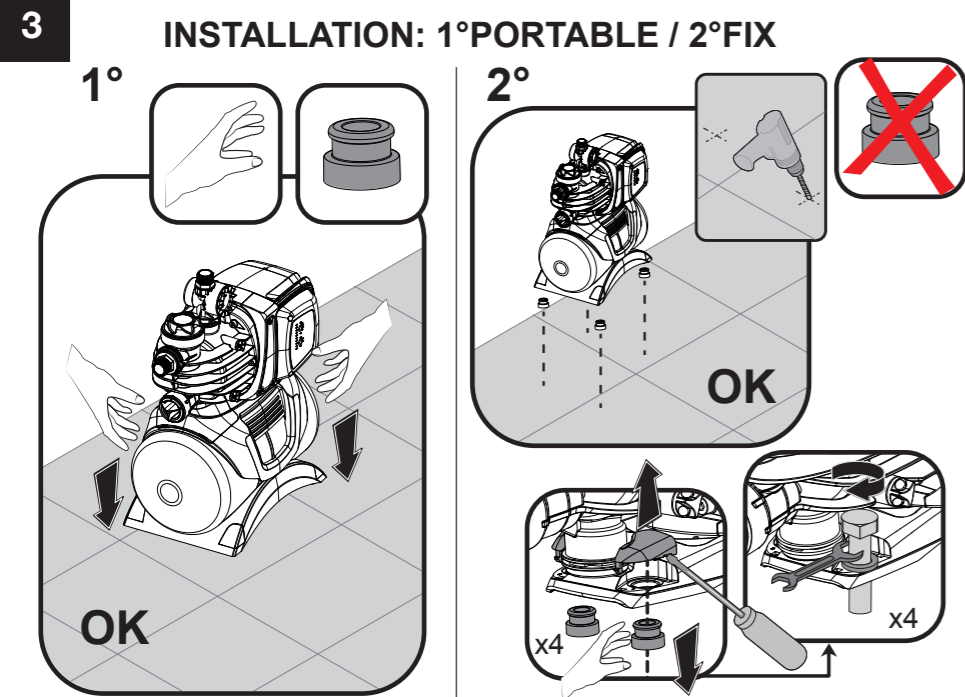
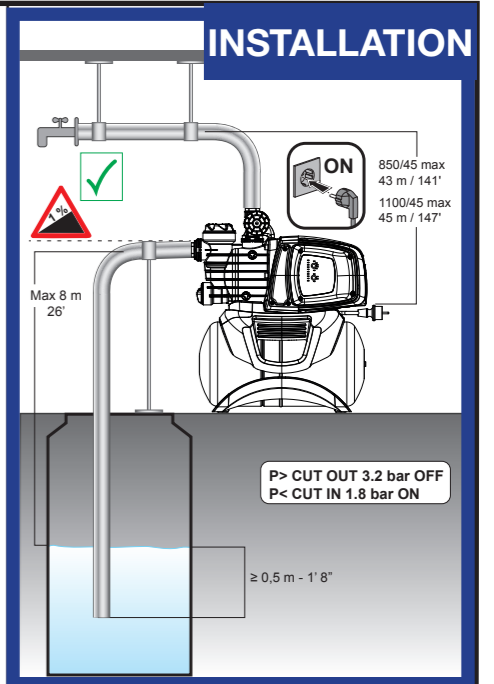
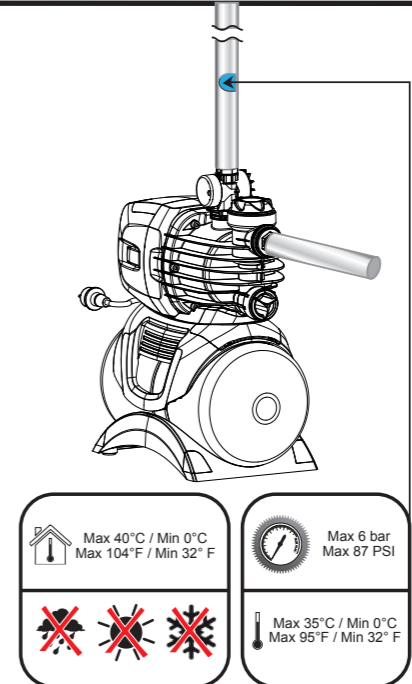
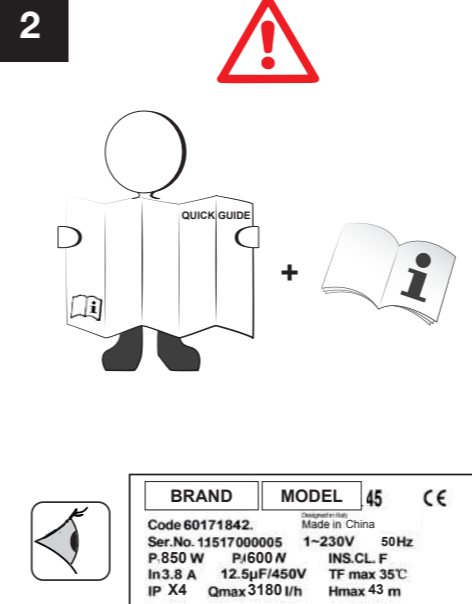
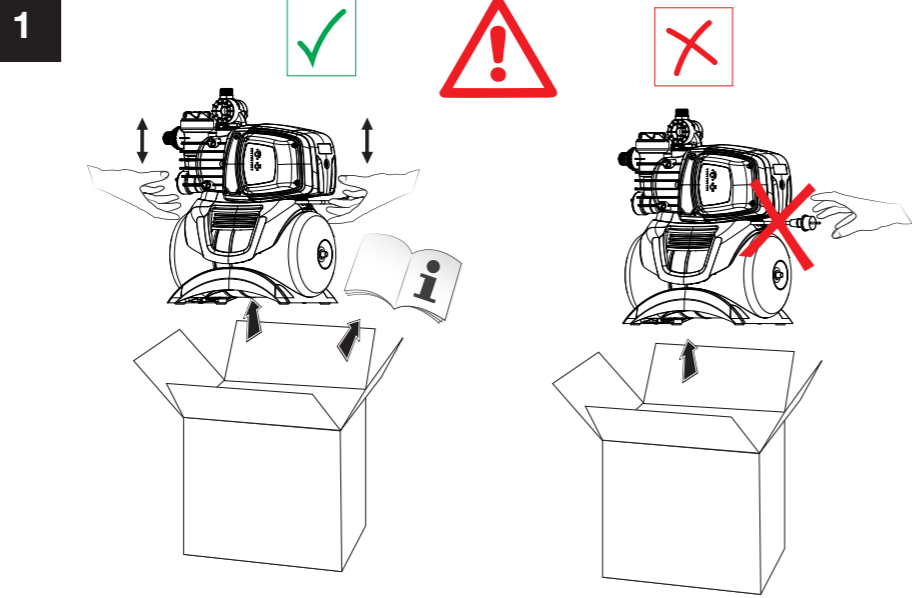
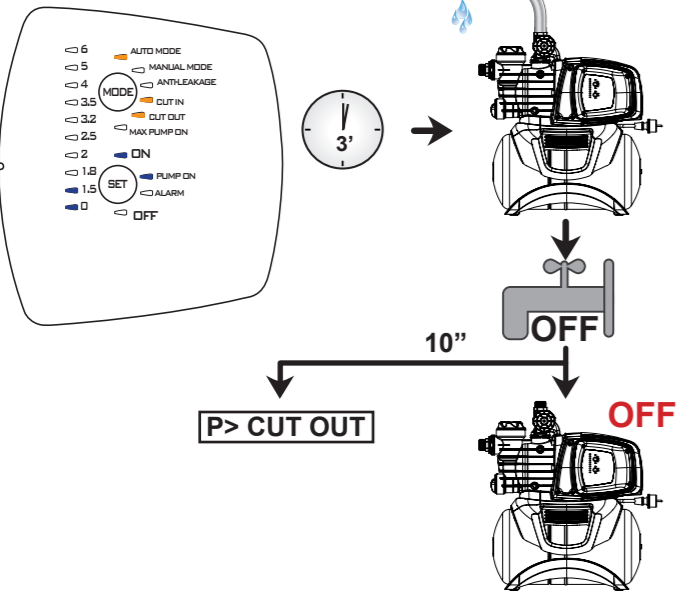


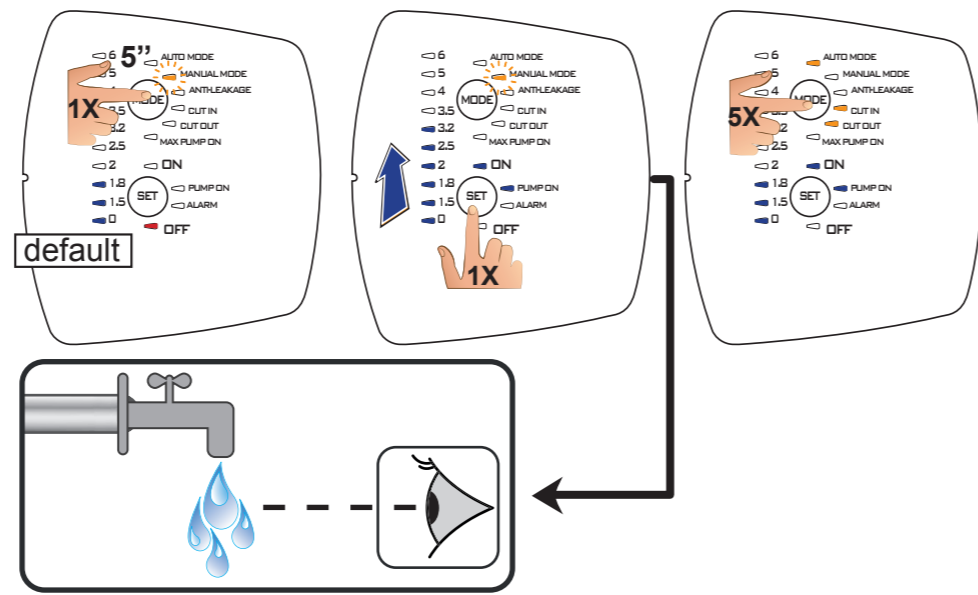
**QUICK GUIDE**



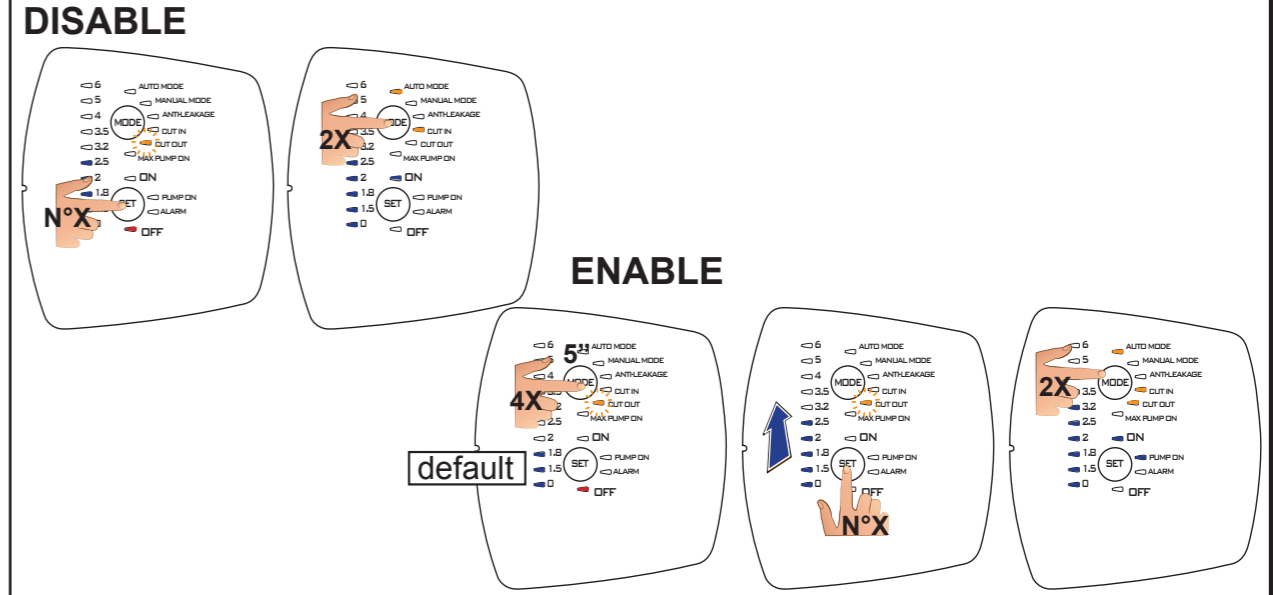
### DEFAULT- AUTO MODE



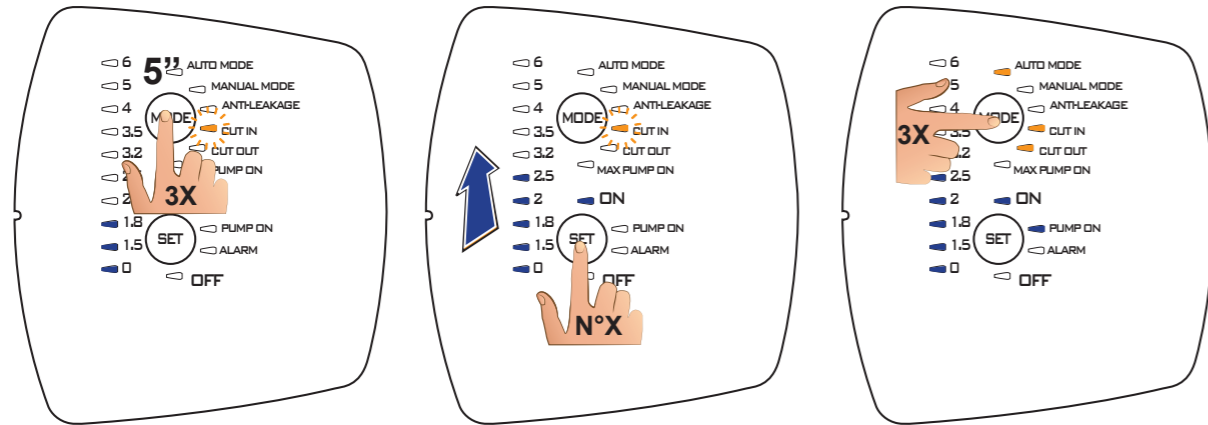
### MANUAL MODE



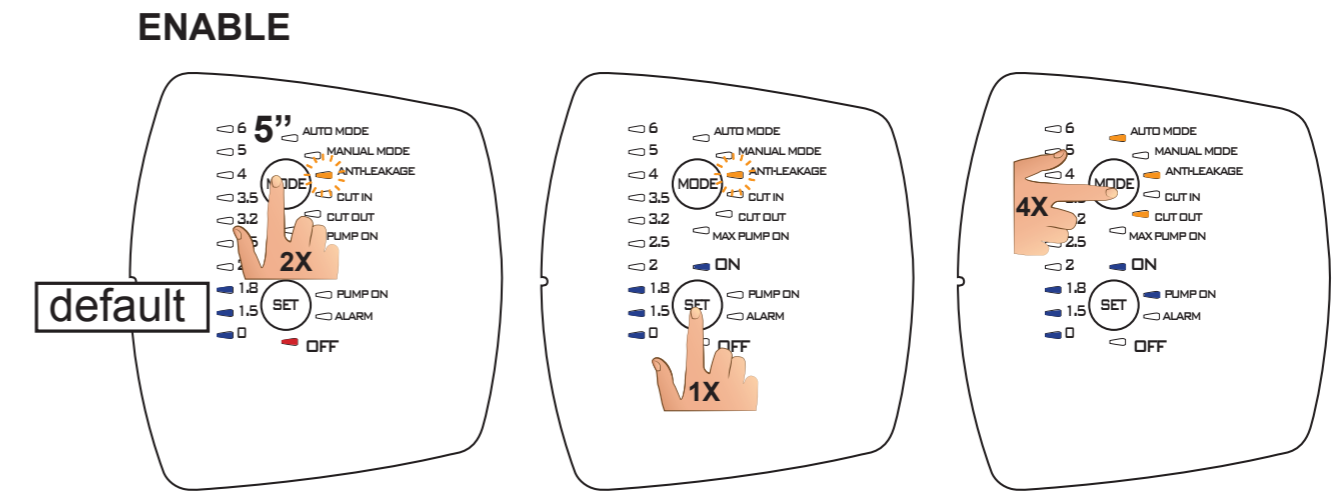
### CUT OUT default enable = 3.2 bar



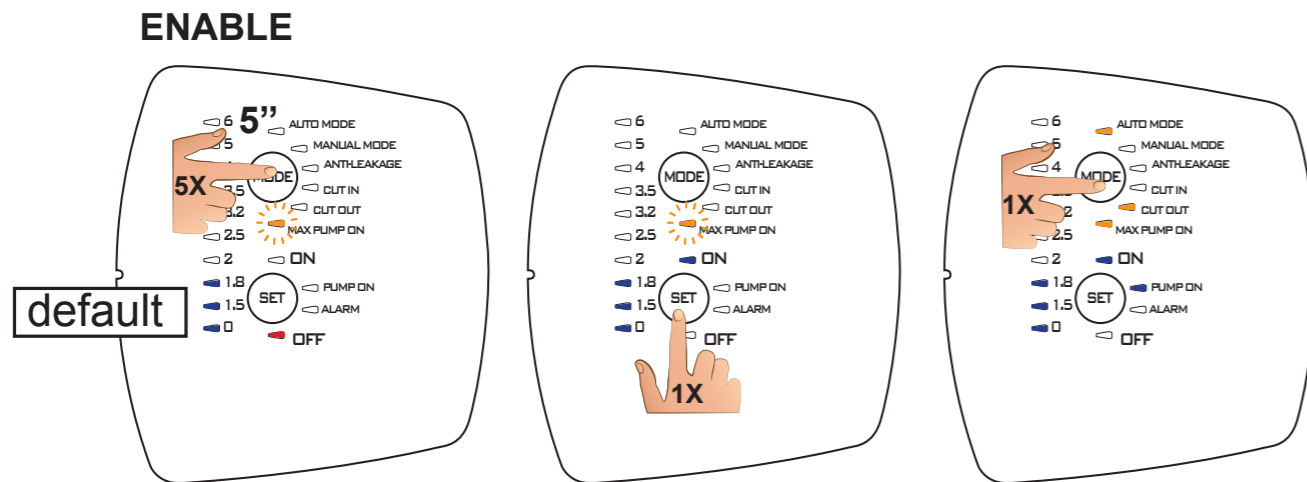
### CUT IN default= 1.8 bar



### ANTILEAKAGE default disable



### MAX PUMP ON default disable



### ALARM

